



Sri Amman Wind Systems Pvt Ltd.

NO. 85/91, VARADHARAJAPURAM MAIN ROAD,
VANNIYA TEYNAMPET, CHENNAI-600 018.
PHONE: 044 - 42110272, 65178339, 24355041
FAX : 044 - 24357127
e-mail: sriamman@airtelmail.in
info@sawspl.com



FRONT VIEW OF 250/80KW CONTROL PANEL WITH TOP BOXES 1& 2

“An ISO 9001-2008 Company”

We are Manufacturer of Windmill Controllers, Sensors, Accessories and Service providers for wind mills



Sri Amman Wind Systems Pvt Ltd.

NO. 85/91, VARADHARAJAPURAM MAIN ROAD,
VANNIYA TEYNAMPET, CHENNAI-600 018.
PHONE: 044 - 42110272, 65178339, 24355041
FAX : 044 - 24357127
e-mail: sriamman@airtelmail.in
info@sawspl.com



SIDE VIEW OF 250/80KW CONTROL PANEL

“An ISO 9001-2008 Company”

We are Manufacturer of Windmill Controllers, Sensors, Accessories and Service providers for wind mills



Sri Amman Wind Systems Pvt Ltd.

NO. 85/91, VARADHARAJAPURAM MAIN ROAD,
VANNIYA TEYNAMPET, CHENNAI-600 018.
PHONE: 044 - 42110272, 65178339, 24355041
FAX : 044 - 24357127
e-mail: sriamman@airtelmail.in
info@sawspl.com



GENERAL ARRANGEMENT OF 250/80KW CONTROL PANEL

“An ISO 9001-2008 Company”

We are Manufacturer of Windmill Controllers, Sensors, Accessories and Service providers for wind mills



Sri Amman Wind Systems Pvt Ltd.

NO. 85/91, VARADHARAJAPURAM MAIN ROAD,
VANNIYA TEYNAMPET, CHENNAI-600 018.
PHONE: 044 - 42110272, 65178339, 24355041
FAX : 044 - 24357127
e-mail: sriamman@airtelmail.in
info@sawspl.com



Technical Specifications:

- Modular Panel with 2mm thickness on all the sides.
- Mounting Panel: 3mm thickness.
- Contactors, MCB'S, MCCB'S are of ABB Make.
- BUS Bars with 99.5% conductivity is used in the CONTROL PANEL, test certificate can be produced upon request.
- Siemens Epcos make Capacitor of 25KVAR & 12.5KVAR rating in different combinations is used in the control panel.
- 8 stage transistorized output from the controller is driven by Phoenix Relay Card.
- Dc Power Supply is equipped with Phoenix Make SMPS.
- Phoenix Make Surge Protection is Equipped in the control Panel
- Current Transformer with 0.1 Accuracy is used
- Earth Fault Relay (EFR) is incorporated in the Control Panel.

Note: Individual Test Certificate can be produced upon Request.

“An ISO 9001-2008 Company”

We are Manufacturer of Windmill Controllers, Sensors, Accessories and Service providers for wind mills



Sri Amman Wind Systems Pvt Ltd.

NO. 85/91, VARADHARAJAPURAM MAIN ROAD,
VANNIYA TEYNAMPET, CHENNAI-600 018.
PHONE: 044 - 42110272, 65178339, 24355041
FAX : 044 - 24357127
e-mail: sriamman@airtelmail.in
info@sawspl.com



**GENERAL ARRANGEMENT OF 250/80KW CONTROL PANEL WITH
SAS 2000 CONTROL SYSTEM.**

“An ISO 9001-2008 Company”

We are Manufacturer of Windmill Controllers, Sensors, Accessories and Service providers for wind mills



Sri Amman Wind Systems Pvt Ltd.

NO. 85/91, VARADHARAJAPURAM MAIN ROAD,
VANNIYA TEYNAMPET, CHENNAI-600 018.
PHONE: 044 - 42110272, 65178339, 24355041
FAX : 044 - 24357127
e-mail: sriamman@airtelmail.in
info@sawspl.com



Technical Specifications:

- Modular Panel with 2mm thickness on all the sides.
- Mounting Panel: 3mm thickness.
- Contactors, MCB'S, MCCB'S are of GE Make.
- The Control Panel is Equipped with SAS 2000 Control System along with Anemometer & Wind Vane.
- BUS Bars with 99.5% conductivity is used in the CONTROL PANEL, test certificate can be produced upon request.
- Siemens Epcos make Capacitor of 25KVAR & 12.5KVAR rating in different combinations is used in the control panel.
- 8 stage transistorized output from the controller is driven by Phoenix Relay Card.
- Dc Power Supply is equipped with Phoenix Make SMPS.
- Phoenix Make Surge Protection is Equipped in the control Panel.
- Current Transformer with 0.1 Accuracy is used.
- Earth Fault Relay (EFR) is incorporated in the Control Panel.

Note: Individual Test Certificate can be produced upon Request.

“An ISO 9001-2008 Company”

We are Manufacturer of Windmill Controllers, Sensors, Accessories and Service providers for wind mills



Sri Amman Wind Systems Pvt Ltd.

NO. 85/91, VARADHARAJAPURAM MAIN ROAD,
VANNIYA TEYNAMPET, CHENNAI-600 018.
PHONE: 044 - 42110272, 65178339, 24355041
FAX : 044 - 24357127
e-mail: sriamman@airtelmail.in
info@sawspl.com



FRONT VIEW OF 250/50 KW CONTROL PANEL

“An ISO 9001-2008 Company”

We are Manufacturer of Windmill Controllers, Sensors, Accessories and Service providers for wind mills



Sri Amman Wind Systems Pvt Ltd.

NO. 85/91, VARADHARAJAPURAM MAIN ROAD,
VANNIYA TEYNAMPET, CHENNAI-600 018.
PHONE: 044 - 42110272, 65178339, 24355041
FAX : 044 - 24357127
e-mail: sriamman@airtelmail.in
info@sawspl.com



CONTROL PANEL SHELL OF 250/50 KW WIND TURBINE

“An ISO 9001-2008 Company”

We are Manufacturer of Windmill Controllers, Sensors, Accessories and Service providers for wind mills



Sri Amman Wind Systems Pvt Ltd.

NO. 85/91, VARADHARAJAPURAM MAIN ROAD,
VANNIYA TEYNAMPET, CHENNAI-600 018.
PHONE: 044 - 42110272, 65178339, 24355041
FAX : 044 - 24357127
e-mail: sriamman@airtelmail.in
info@sawspl.com



Technical Specifications:

- Modular Panel with 2mm thickness on all the sides.
- Mounting Panel: 3mm thickness.
- Contactors, MCB'S, MCCB'S are of ABB Make.
- BUS Bars with 99.5% conductivity is used in the CONTROL PANEL, test certificate can be produced upon request.
- Siemens Epcos make Capacitor (Gas filled Type) of 25KVAR & 12.5KVAR rating in different combinations is used in the control panel.
- DC Power Supply is equipped with Phoenix Make SMPS.
- OBO Make Surge Protection is Equipped in the control Panel.
- Current Transformer with 0.1 Accuracy is used.

Note: Individual Test Certificate can be produced upon Request.

“An ISO 9001-2008 Company”

We are Manufacturer of Windmill Controllers, Sensors, Accessories and Service providers for wind mills



Sri Amman Wind Systems Pvt Ltd.

NO. 85/91, VARADHARAJAPURAM MAIN ROAD,
VANNIYA TEYNAMPET, CHENNAI-600 018.
PHONE: 044 - 42110272, 65178339, 24355041
FAX : 044 - 24357127
e-mail: sriamman@airtelmail.in
info@sawspl.com



CABLE TWIST SENSOR (YAW SENSORS)



Technical Specifications of

- Model: SAS 4C YAW SENSOR
- Gear Ratio: 1 :100 / 1: 150 / 1: 700/ Custom based
- 4 Micro Switches - snap action or slow break
- Weight: 1.6lbs
- Mechanical Life: 10 Million Operation
- Contacts : 3 Amps
- Temperature: -25° C to 70°C
- Adjustment: 0½ to 360½

Note: We do Custom Based Yaw Sensors with different Gear ratio / different shaft length / different wheel diameter.

“An ISO 9001-2008 Company”

We are Manufacturer of Windmill Controllers, Sensors, Accessories and Service providers for wind mills



Sri Amman Wind Systems Pvt Ltd.

NO. 85/91, VARADHARAJAPURAM MAIN ROAD,
VANNIYA TEYNAMPET, CHENNAI-600 018.
PHONE: 044 - 42110272, 65178339, 24355041
FAX : 044 - 24357127
e-mail: sriamman@airtelmail.in
info@sawspl.com



Sri Amman Services

INDIA



The OD 04-1 is an wind vane used for yaw regulation in connection with Wind turbines.

- ❖ Opto-electronic sensor pick-up action.
- ❖ Registers deviations $>7^\circ$ from starting point.
- ❖ Magnetically centered.
- ❖ Marking point for correct mounting.
- ❖ Wind vane with conically shaped wind scoop in varnished stainless steel.
- ❖ The casing in Denril.
- ❖ Equipped with 10 m PVC cable.
- ❖ Fastening: External thread M 28 x 2.

WIND VANE

"An ISO 9001-2008 Company"

We are Manufacturer of Windmill Controllers, Sensors, Accessories and Service providers for wind mills



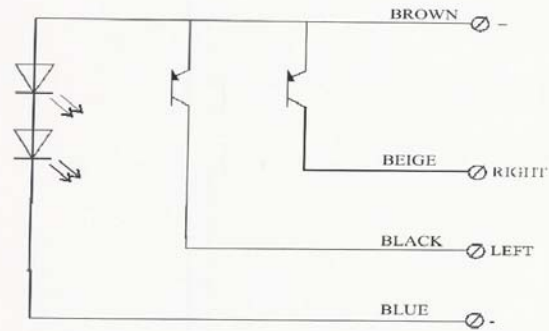
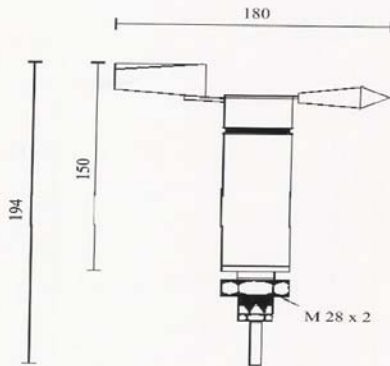
Sri Amman Wind Systems Pvt Ltd.

NO. 85/91, VARADHARAJAPURAM MAIN ROAD,
VANNIYA TEYNAMPET, CHENNAI-600 018.
PHONE: 044 - 42110272, 65178339, 24355041
FAX : 044 - 24357127
e-mail: sriamman@airtelmail.in
info@sawspl.com



Sri Amman Services

INDIA



TECHNICAL DATA			
Regulation range	+/-7		°
Hysteresis	3.5		°
Limitation on revolutions	+/-20		°
	MIN.	MAX.	
Signal outputs		40	mA
Open collectors PNP		30	VDC
Supply voltage	12	24	VDC
Consumption	20		mA
Temperature, continuous operation	-20	+50	°C
Weight		315	g

WIND VANE

"An ISO 9001-2008 Company"

We are Manufacturer of Windmill Controllers, Sensors, Accessories and Service providers for wind mills



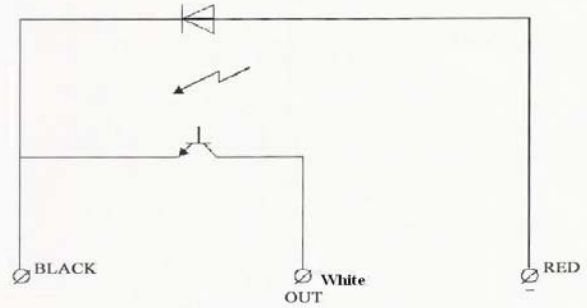
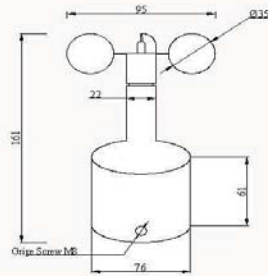
Sri Amman Wind Systems Pvt Ltd.

NO. 85/91, VARADHARAJAPURAM MAIN ROAD,
VANNIYA TEYNAMPET, CHENNAI-600 018.
PHONE: 044 - 42110272, 65178339, 24355041
FAX : 044 - 24357127
e-mail: sriamman@airtelmail.in
info@sawspl.com



INDIA

Sri Amman Services



TECHNICAL DATA		MIN.	MAX.	
Measuring range		2	30	m/s
Resolution			11	imp./rpm
Signal output			30	mA
Open collector	NPN		30	V DC
Mains voltage		12	24	V DC
Load		20		mA
Temperature		-20	+50	°C
Weight			735	g

ANEMOMETER

“An ISO 9001-2008 Company”

We are Manufacturer of Windmill Controllers, Sensors, Accessories and Service providers for wind mills



Sri Amman Wind Systems Pvt Ltd.

NO. 85/91, VARADHARAJAPURAM MAIN ROAD,
VANNIYA TEYNAMPET, CHENNAI-600 018.
PHONE: 044 - 42110272, 65178339, 24355041
FAX : 044 - 24357127
e-mail: sriamman@airtelmail.in
info@sawspl.com



ANEMOMETER

The anemometer used in connection with TTG wind turbine electronics for measuring the wind speed, which internally instruct the controller to start or to stop the wind turbine.

- a. Opto-electronic sensor pickup action.
- b. Registers wind speed from 2 to 30 m/sec.
- c. The rotor is made of stainless steel with 3 cup (ABS Black)
- d. The casing in aluminum
- e. Equipped with 5 m PVC cable

“An ISO 9001-2008 Company”

We are Manufacturer of Windmill Controllers, Sensors, Accessories and Service providers for wind mills



Sri Amman Wind Systems Pvt Ltd.

NO. 85/91, VARADHARAJAPURAM MAIN ROAD,
VANNIYA TEYNAMPET, CHENNAI-600 018.
PHONE: 044 - 42110272, 65178339, 24355041
FAX : 044 - 24357127
e-mail: sriamman@airtelmail.in
info@sawspl.com



BHEL- NORDEX CONTROL SYSTEM CARDS



We at SRI AMMAN WIND SYSTEMS PVT LTD developed entire Control System for BHEL- Nordex Wind Turbine. All the Cards were been supplied to BHEL Ranipet, Tamilnadu Petro Products Ltd (TPL), Dynamatic Technologies Ltd, Empee Distilleries , Delta Power Inc..... and many more Suppliers too.

“An ISO 9001-2008 Company”

We are Manufacturer of Windmill Controllers, Sensors, Accessories and Service providers for wind mills

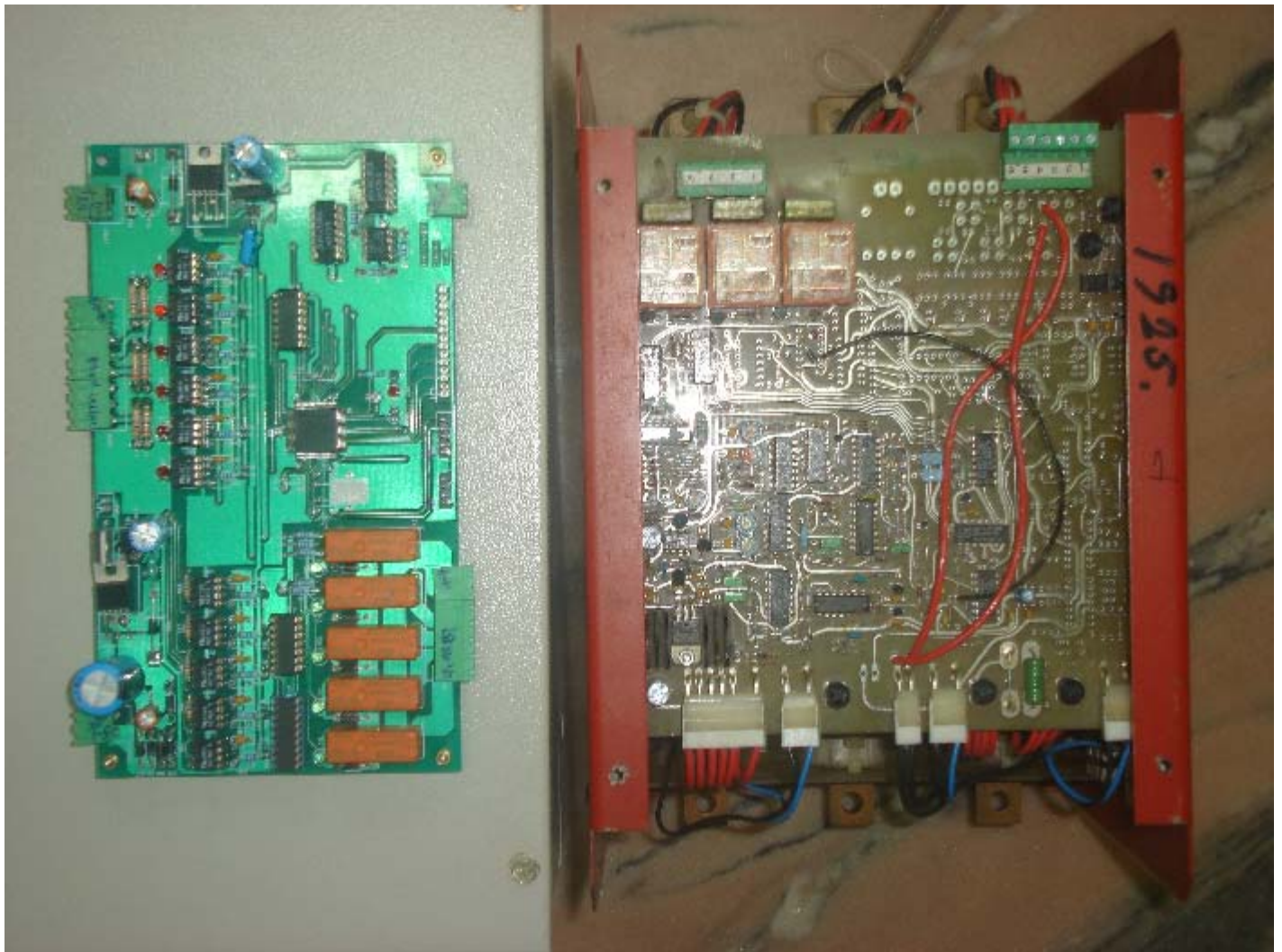


Sri Amman Wind Systems Pvt Ltd.

NO. 85/91, VARADHARAJAPURAM MAIN ROAD,
VANNIYA TEYNAMPET, CHENNAI-600 018.
PHONE: 044 - 42110272, 65178339, 24355041
FAX : 044 - 24357127
e-mail: sriamman@airtelmail.in
info@sawspl.com



THIM CARD OF BHEL-NORDEX MACHINE



We at Sri Amman Wind Systems Pvt Ltd Developed a new Trigger module for BHEL- Nordex Machine, which will enable you to use Only the Thyristor Blocks, remaining Cards, can be replaced.

“An ISO 9001-2008 Company”

We are Manufacturer of Windmill Controllers, Sensors, Accessories and Service providers for wind mills